

Series
VENTS VKP



Centrifugal fans with the air capacity up to **2970 m³/h** for rectangular ducts

Series
VENTS VKP 4D 1000x 500



Centrifugal fans with the air capacity up to **15000 m³/h** for rectangular ducts

Series
VENTS VKPI



Centrifugal sound- and heat-insulated fans with the air capacity up to **2970 m³/h** for rectangular ducts

■ **Applications**

Supply and exhaust ventilation systems for various premises with a limited mounting space. For connection with 400x200, 500x250, 500x300, 600x300, 600x350, 1000x500 mm the rectangular ducts.

■ **Design**

Fan casing is made of galvanized steel. VKPI models are heat- and sound-insulated with 50 mm mineral wool layer.

■ **Motor**

Impellers with backward-curved impeller blades made of galvanized steel are powered by means of the 2- or 4-pole asynchronous motors with external rotor. Motors are supplied with incorporated overheating

protection with automatic restart or the thermal protection terminals leaded outside for connection to the external protection devices depending on the model, see the wiring diagram motor is equipped with ball bearings for long service life. For precise features, safe operation and low noise, each impeller is dynamically balanced while assembly. Motor protection rating IP 44.

■ **Speed control**

Both smooth or step speed control is performed with the thyristor or autotransformer controller. Several fans can be connected to one controller in case the total power and operating current do not exceed the controller rated values.

■ **Mounting**

The fans are mounted into the rectangular ducts and require no special fixing in case of direct connection. In case of connection through the flexible connectors the fan is fixed to a building by means of supports, suspension brackets or fixation brackets. Fans can be mounted in any position with respect to the airflow direction (indicated with an arrow on the casing). Access for the fan maintenance shall be provided. The fan is powered through the external terminals. The casing is equipped with the removable access cover for maintenance purposes.

Designation key: _____

Fan series		Motor modification		Flange diameter [WxH]	
VENTS VKP	I – modification in sound- and heat-insulated casing	Number of poles	Phase	400x200, 500x250, 500x300, 600x300, 600x350, 1000x500	
		4 2	E – single phase D – three phases		

Accessories



page 240 page 248 page 251 page 254 page 260 page 270 page 300 page 302 page 303 page 304 page 316 page 317

Technical data:

	VKP / VKPI 2E 400x200	VKP / VKPI 2E 500x250	VKP / VKPI 4E 500x300
Voltage [V / 50 Hz]	230	230	230
Power [W]	138	305	140
Current [A]	0,60	1,32	0,57
Maximum air flow [m ³ /h]	930	1720	1700
RPM [min ⁻¹]	2600	2550	1390
Noise level at 3 m [dBA]	59 / 51*	61 / 53*	53 / 45*
Maximum operating temperature [°C]	-25 +45	-25 +45	-25 +45
Protection rating	IPX4	IPX4	IPX4

* parameter for VKPI fan

VENTS VKP /
VKPI
FAN SERIES

Technical data:

	VKP / VKPI 4D 500x300	VKP / VKPI 4E 600x300	VKP / VKPI 4D 600x300
Voltage [V / 50 Hz]	400	230	400
Power [W]	136	220	230
Current [A]	0,34	0,90	0,52
Maximum air flow [m ³ /h]	1380	2470	2530
RPM [min ⁻¹]	1360	1400	1360
Noise level at 3 m [dBA]	53 / 45*	55 / 47*	53 / 46*
Maximum operating temperature [°C]	-25 +65	-25 +45	-25 +70
Protection rating	IPX4	IPX4	IPX4

* parameter for VKPI fan

Technical data:

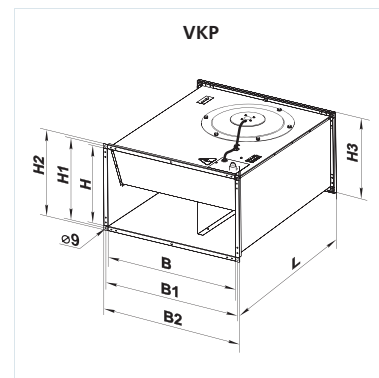
	VKP / VKPI 4E 600x350	VKP / VKPI 4D 600x350		VKP 4D 1000x500
Voltage [V / 50 Hz]	230	400Δ	400Y	3~ 400
Power [W]	470	510	380	3800
Current [A]	2,37	1,41	0,70	6,6
Maximum air flow [m ³ /h]	2950	2970	2660	15000
RPM [min ⁻¹]	1370	1415	1235	1360
Noise level at 3 m [dBA]	67 / 59*	64 / 55*	63 / 55*	70
Maximum operating temperature [°C]	-40 +80	-40 +60	-40 +80	-20 +40
Protection rating	IPX4	IPX4		IP X4

* parameter for VKPI fan

RECTANGULAR DUCT FANS

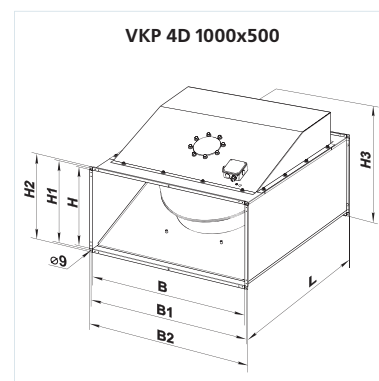
Fan overall dimensions:

Type	Dimensions [mm]								Mass [kg]
	B	B1	B2	H	H1	H2	H3	L	
VKP 2E 400x200	400	420	440	200	220	240	240	500	13,6
VKP 2E 500x250	500	520	540	250	270	290	290	640	17,7
VKP 4E 500x300	500	520	540	300	320	340	340	680	25,5
VKP 4D 500x300	500	520	540	300	320	340	340	680	25,5
VKP 4E 600x300	600	620	640	300	320	340	342	680	31,5
VKP 4D 600x300	600	620	640	300	320	340	342	680	32,5
VKP 4E 600x350	600	620	640	350	370	390	390	735	41,5
VKP 4D 600x350	600	620	640	350	370	390	390	735	41,5



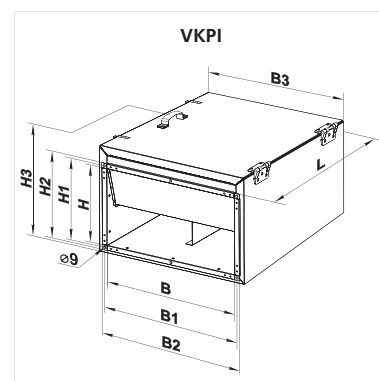
Fan overall dimensions:

Type	Dimensions [mm]								Mass [kg]
	B	B1	B2	H	H1	H2	H3	L	
VKP 4D 1000x500	1000	1020	1040	500	520	540	720	1150	125

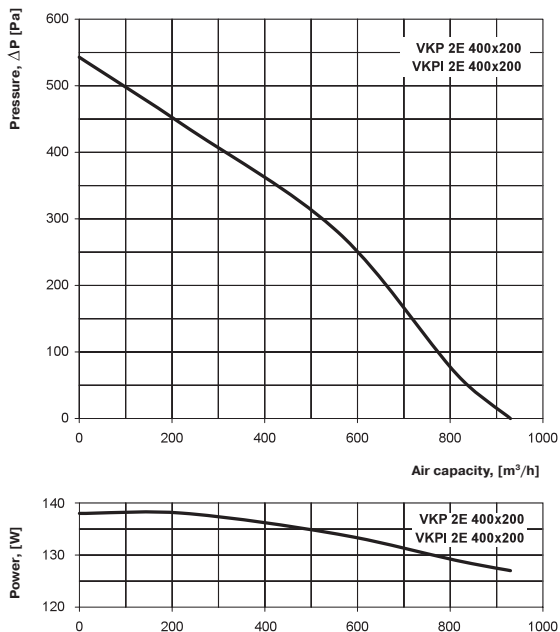


Fan overall dimensions:

Type	Dimensions [mm]									Mass [kg]
	B	B1	B2	B3	H	H1	H2	H3	L	
VKPI 2E 400x200	400	420	440	500	200	220	240	360	500	24,4
VKPI 2E 500x250	500	520	540	600	250	270	290	410	640	34,0
VKPI 4E 500x300	500	520	540	600	300	320	340	460	680	45,0
VKPI 4D 500x300	500	520	540	600	300	320	340	460	680	45,0
VKPI 4E 600x300	600	620	640	700	300	320	340	460	680	52,5
VKPI 4D 600x300	600	620	640	700	300	320	340	460	680	53,0
VKPI 4E 600x350	600	620	640	700	350	370	390	530	735	64,0
VKPI 4D 600x350	600	620	640	700	350	370	390	530	735	64,0



VENTS VKP / VKPI



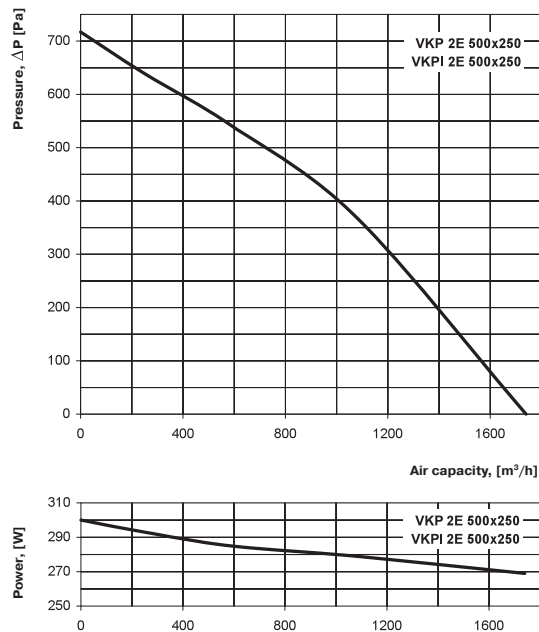
VKP 2E 400x200

Sound-power level		Octave-frequency band [Hz]									
		Hz	Gen	63	125	250	500	1000	2000	4000	8000
L_{WA} to inlet	dBA	71	54	63	68	64	64	58	54	45	
L_{WA} to outlet	dBA	75	53	62	66	68	69	66	60	48	
L_{WA} to environment	dBA	58	36	48	56	54	50	46	41	32	

VKPI 2E 400x200

Sound-power level		Octave-frequency band [Hz]									
		Hz	Gen	63	125	250	500	1000	2000	4000	8000
L_{WA} to inlet	dBA	65	45	57	60	60	57	53	49	43	
L_{WA} to outlet	dBA	70	47	59	61	66	64	60	55	43	
L_{WA} to environment	dBA	48	26	37	45	43	35	32	29	22	

VENTS VKP / VKPI



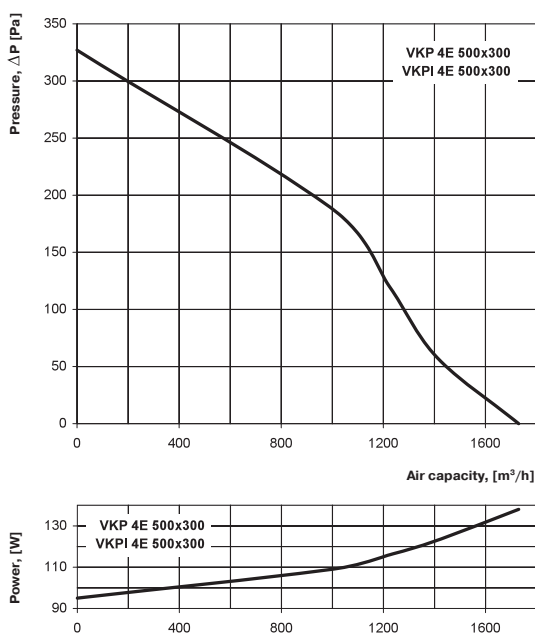
VKP 2E 500x250

Sound-power level		Octave-frequency band [Hz]									
		Hz	Gen	63	125	250	500	1000	2000	4000	8000
L_{WA} to inlet	dBA	69	60	68	60	56	56	49	46	46	
L_{WA} to outlet	dBA	70	54	65	64	63	60	56	49	44	
L_{WA} to environment	dBA	53	41	48	47	44	40	38	33	35	

VKPI 2E 500x250

Sound-power level		Octave-frequency band [Hz]									
		Hz	Gen	63	125	250	500	1000	2000	4000	8000
L_{WA} to inlet	dBA	62	52	60	56	51	50	43	42	40	
L_{WA} to outlet	dBA	63	48	59	60	55	57	53	45	39	
L_{WA} to environment	dBA	41	27	35	37	31	29	27	25	27	

VENTS VKP / VKPI



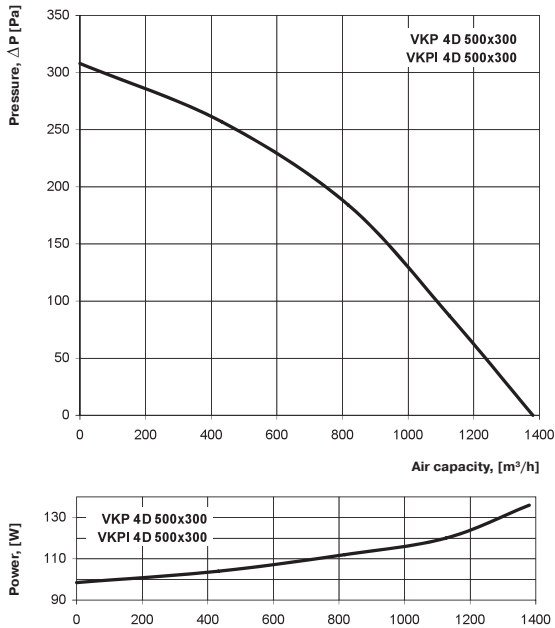
VKP 4E 500x300

Sound-power level		Octave-frequency band [Hz]									
		Hz	Gen	63	125	250	500	1000	2000	4000	8000
L_{WA} to inlet	dBA	69	58	63	64	55	57	58	51	46	
L_{WA} to outlet	dBA	73	57	60	72	65	65	64	57	48	
L_{WA} to environment	dBA	56	44	52	51	51	49	48	43	33	

VKPI 4E 500x300

Sound-power level		Octave-frequency band [Hz]									
		Hz	Gen	63	125	250	500	1000	2000	4000	8000
L_{WA} to inlet	dBA	64	51	59	60	48	55	51	49	40	
L_{WA} to outlet	dBA	70	50	55	64	59	62	59	50	43	
L_{WA} to environment	dBA	44	31	37	40	39	38	35	32	20	

VENTS VKP / VKPI



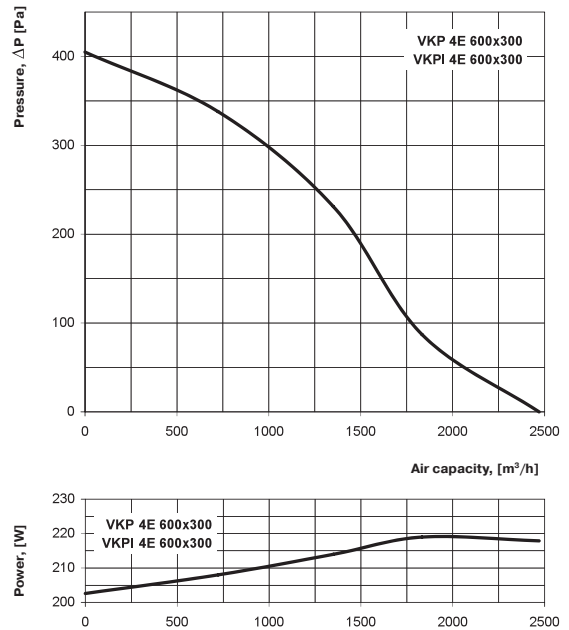
VKP 4D 500x300

Sound-power level	Hz	Octave-frequency band [Hz]								
		Gen	63	125	250	500	1000	2000	4000	8000
L_{WA} to inlet	dBA	69	58	62	65	55	58	58	55	45
L_{WA} to outlet	dBA	71	56	62	69	64	66	63	59	50
L_{WA} to environment	dBA	55	42	51	51	52	48	48	43	32

VKPI 4D 500x300

Sound-power level	Hz	Octave-frequency band [Hz]								
		Gen	63	125	250	500	1000	2000	4000	8000
L_{WA} to inlet	dBA	62	51	59	63	49	55	54	49	39
L_{WA} to outlet	dBA	66	51	57	67	59	63	60	50	42
L_{WA} to environment	dBA	44	31	38	38	38	36	38	31	22

VENTS VKP / VKPI



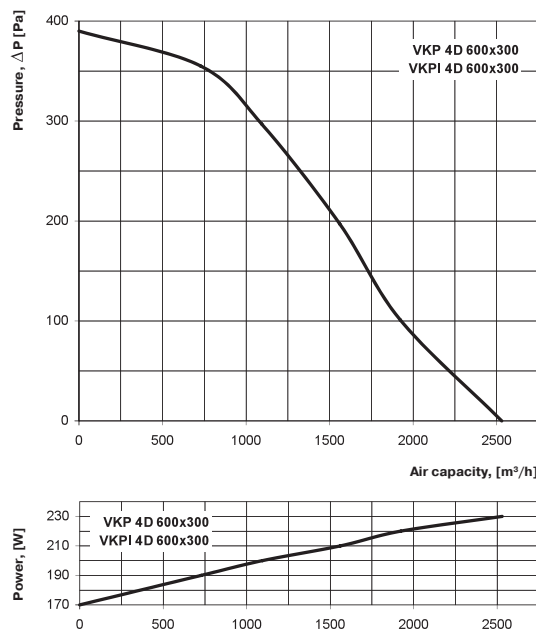
VKP 4E 600x300

Sound-power level	Hz	Octave-frequency band [Hz]								
		Gen	63	125	250	500	1000	2000	4000	8000
L_{WA} to inlet	dBA	72	63	67	69	56	61	61	54	48
L_{WA} to outlet	dBA	78	57	65	73	68	69	69	61	54
L_{WA} to environment	dBA	61	43	55	54	55	53	49	48	35

VKPI 4E 600x300

Sound-power level	Hz	Octave-frequency band [Hz]								
		Gen	63	125	250	500	1000	2000	4000	8000
L_{WA} to inlet	dBA	68	58	62	64	55	55	53	51	42
L_{WA} to outlet	dBA	71	54	60	67	62	64	61	54	49
L_{WA} to environment	dBA	48	34	42	43	41	40	37	36	23

VENTS VKP / VKPI



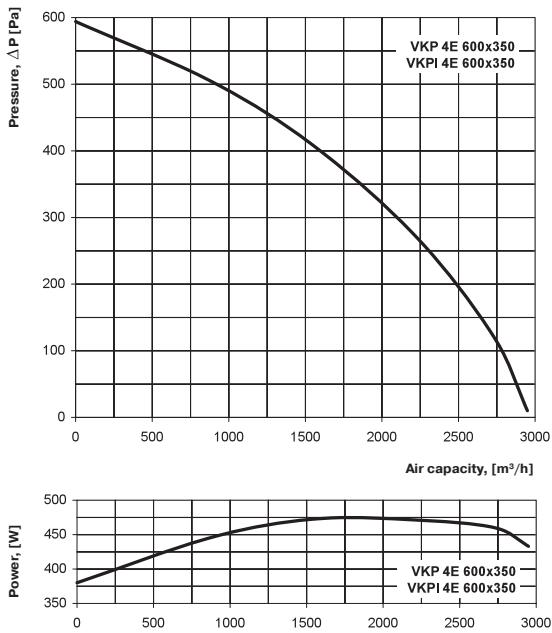
VKP 4D 600x300

Sound-power level	Hz	Octave-frequency band [Hz]								
		Gen	63	125	250	500	1000	2000	4000	8000
L_{WA} to inlet	dBA	72	61	69	67	60	62	58	56	50
L_{WA} to outlet	dBA	76	59	66	73	68	69	66	58	51
L_{WA} to environment	dBA	59	45	53	56	54	54	53	47	38

VKPI 4D 600x300

Sound-power level	Hz	Octave-frequency band [Hz]								
		Gen	63	125	250	500	1000	2000	4000	8000
L_{WA} to inlet	dBA	69	55	60	66	53	55	56	52	43
L_{WA} to outlet	dBA	71	56	61	70	62	65	60	55	45
L_{WA} to environment	dBA	46	31	43	41	40	41	40	35	23

VENTS VKP / VKPI



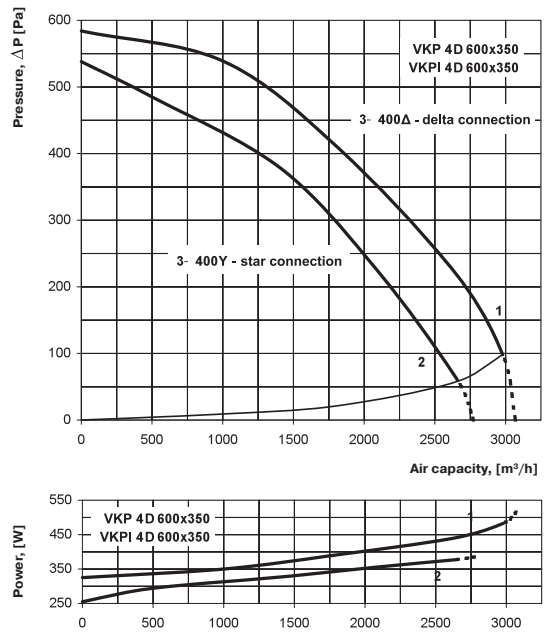
VKP 4E 600x350

Sound-power level		Octave-frequency band [Hz]								
	Hz	Gen	63	125	250	500	1000	2000	4000	8000
L _{WA} to inlet	dBA	78	58	78	75	60	64	65	67	55
L _{WA} to outlet	dBA	79	58	69	75	67	70	69	69	56
L _{WA} to environment	dBA	64	37	61	55	51	54	49	43	35

VKPI 4E 600x350

Sound-power level		Octave-frequency band [Hz]								
	Hz	Gen	63	125	250	500	1000	2000	4000	8000
L _{WA} to inlet	dBA	75	53	72	71	54	58	63	60	52
L _{WA} to outlet	dBA	74	52	62	69	62	67	65	64	54
L _{WA} to environment	dBA	51	25	51	44	40	42	38	34	23

VENTS VKP / VKPI



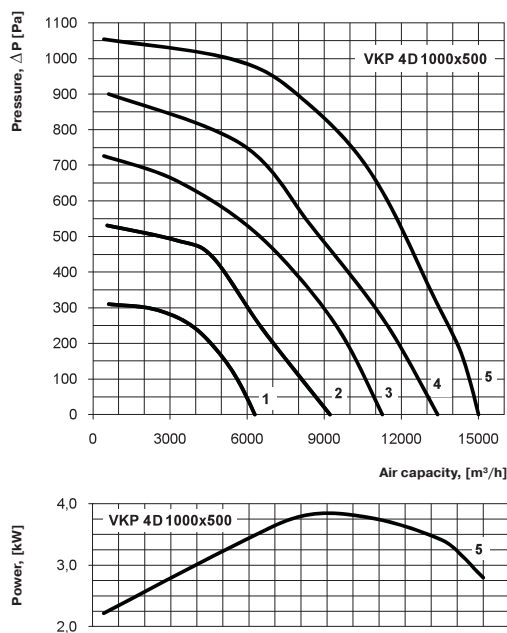
VKP 4D 600x350

Sound-power level		Octave-frequency band [Hz]								
	Hz	Gen	63	125	250	500	1000	2000	4000	8000
L _{WA} to inlet	dBA	72	57	59	72	66	64	65	58	47
L _{WA} to outlet	dBA	81	60	67	76	74	74	69	59	50
L _{WA} to environment	dBA	65	40	53	61	57	55	54	47	38

VKPI 4D 600x350

Sound-power level		Octave-frequency band [Hz]								
	Hz	Gen	63	125	250	500	1000	2000	4000	8000
L _{WA} to inlet	dBA	70	54	56	65	62	60	58	49	40
L _{WA} to outlet	dBA	74	57	63	73	70	68	65	57	47
L _{WA} to environment	dBA	52	27	41	50	43	45	41	35	26

VENTS VKP



Sound-power level		Octave-frequency band [Hz]								
	Hz	Gen	63	125	250	500	1000	2000	4000	8000
L _{WA} to inlet	dBA	75	71	74	73	73	71	72	67	65
L _{WA} to outlet	dBA	88	69	77	82	82	84	79	74	68
L _{WA} to environment	dBA	72	58	63	63	62	64	61	57	52